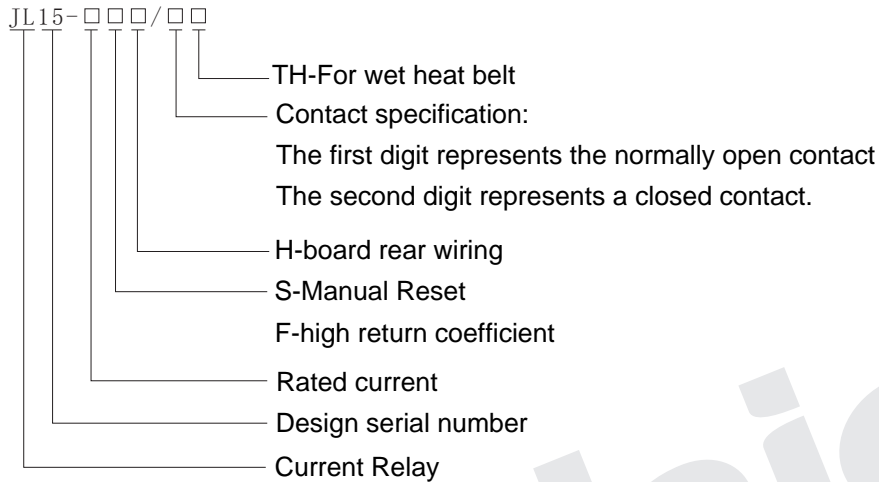


JL15 Series AC / DC Current Relay

Summary

JL15 series AC / DC relay (hereinafter referred to as relay) is a kind of electromagnetic relay with instantaneous current action, which is used as overcurrent protection element in the primary circuit of AC 380V 50Hz and below DC 440V and current to 1200A.

Model



Main technical parameters

Relay model specifications and technical data are as follows

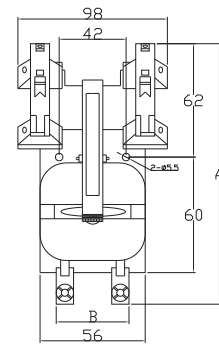
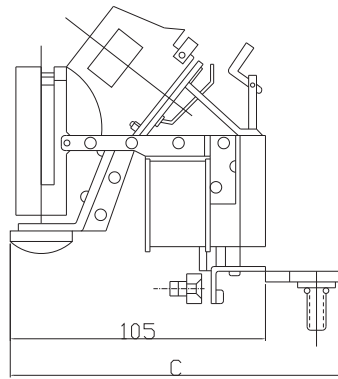
| Type of Current | Model | Rated current I_e (A) of suction coil | Suction current adjustment range | Contact form | 点形式 connection | 接线 Remarks |
|-----------------|------------|---|----------------------------------|--------------|--|--|
| DC or AC | JL15-□/01 | 1.5, 2, 2.5, 5, 10, 15, 20, 30, 40, 60, 80, 100, 150, 250, 300, 400, 600, 800, 1200 | 80-300% I_e | | Connect the front of the board below 60A. | The contact point of the relay is 5A |
| | JL15-□/11 | | | | | |
| | JL15-□S/01 | | | | | |
| | JL15-□S/11 | | | | | |
| | JL15-□/02 | | 120-400% I_e | | 80A and above. Rear wiring or. Panel front wiring. | |
| | JL15-□/22 | | | | | |
| | JL15-□S/22 | | | | | |
| | JL15-□S/22 | | | | | |
| AC | JL15-□F/01 | | 120-400% I_e | | | Return factor is 0.6-0.85 for 600a and 1200a, When the setting current is more than twice the amount When the current is determined, it's allowed to drop by 0.1 |
| | JL15-□F/11 | | | | | |

Outline overall & Installing dimensions

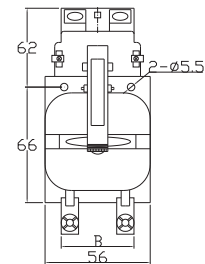
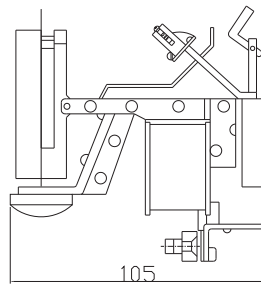
The size of the shape is shown in the following table

| Model | Rated current (A) of suction coil | Mode of Connection | Outline Dimension (mm) | | | Wiring Screw Specification |
|------------|-----------------------------------|--------------------|------------------------|-----|-----|-------------------------------|
| | | | A | B | C | |
| JL15-□/01 | 1.5-60 | Front of plate | 145 | 56 | — | M6 M8 M10 M12 M16 |
| JL15-□/11 | 80-150 | | 185 | 69 | — | |
| | 250 | | 188 | 77 | — | |
| | 300-600 | | 188 | 77 | — | |
| | 800-1200 | | 215 | 113 | — | |
| JL15-□H/01 | 80-150 | Back of the board | 160 | 69 | 164 | M8 M10 M12 M16 |
| JL15-□H/11 | 250 | | 170 | 77 | 167 | |
| | 300-600 | | 175 | 77 | 167 | |
| | 800-1200 | | 185 | 113 | 170 | |

JL15-□□/02型
□□/22型
Relay profile & installation dimensions



JL15-□□/01型
□□/11型
Relay profile & installation dimensions



JL15-□□H/01型
□□H/11型
Relay profile & installation dimensions

